

Instructions for installation,
use and maintenance

ELECTRIC GRILL SALAMANDER

S110E

S300E

S600E





CHARACTERISTICS

Supplied by:

Date:

Customer Service:



FAX

e-mail



INDEX

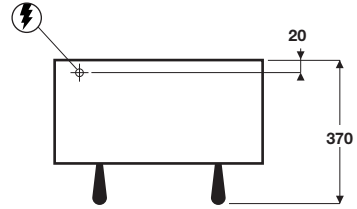
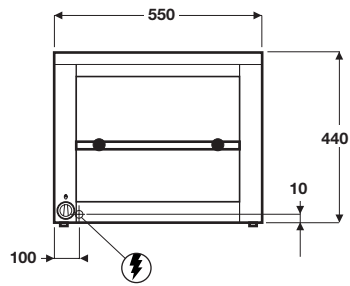
1 Diagram	4
2 Features of the appliances	5
3 Technical data	5
4 Installation instructions	6
4.1 Safety rules	6
4.2 Electrical connection	6
5 Instructions for use	6
5.1 Start-up	6
5.1.1 Using the energy regulator	6
5.2 Safety, cleaning and repair rules	7
5.2.1 Cleaning of stainless steel and painted parts	7
5.2.2 Replacement parts	7
5.2.3 WEEE Directive	7
6 Appendix: Electrical diagrams	8-9



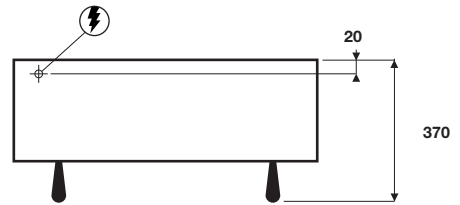
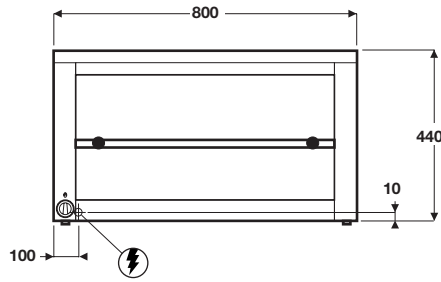


1 - DIAGRAM

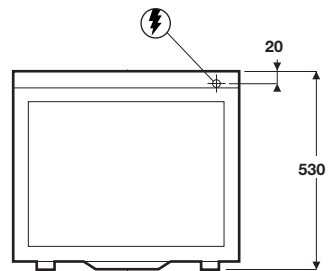
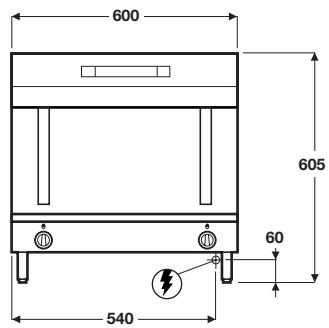
S110E



S300E



S600E





2 - CHARACTERISTICS OF THE APPLIANCES

These appliances are used for professional purposes. Installation, repair and use must be carried out by expert personnel.

The data plate is located on the front part of the appliance (on the control panel).

	CAT/KAT	GAS/GAZ	G30	G31	G20	G25	
	I12H3B/P	P mbar	30	30	20	-	SE <input type="checkbox"/> FI <input type="checkbox"/> DK <input type="checkbox"/> CZ <input type="checkbox"/> SK <input type="checkbox"/> SI <input type="checkbox"/>
	I12H3+	P mbar	30	37	20	-	IT <input type="checkbox"/> CH <input type="checkbox"/> PT <input type="checkbox"/>
	I12H3+	P mbar	28	37	20	-	ES <input type="checkbox"/> IE <input type="checkbox"/> GB <input type="checkbox"/> GR <input type="checkbox"/>
	I12L3B/P	P mbar	30	30	-	25	NL <input type="checkbox"/>
	I12ELL3B/P	P mbar	50	50	20	20	DE <input type="checkbox"/>
TIPO/TYPE	I12E+3+	P mbar	28	37	20	25	FR <input type="checkbox"/> BE <input type="checkbox"/>
MOD.	I12H3B/P	P mbar	50	50	20	-	AT <input type="checkbox"/> CH <input type="checkbox"/>
ART.	I2E	P mbar	-	-	20	-	LU <input type="checkbox"/>
N.	I12H3B/P	P mbar	30	30	-	-	EE <input type="checkbox"/> LV <input type="checkbox"/> LT <input type="checkbox"/>
N.	I12H3+	P mbar	28	37	20	-	EE <input type="checkbox"/> LV <input type="checkbox"/> LT <input type="checkbox"/>
Σ Qn kW	I3B/P	P mbar	30	30	-	-	NO <input type="checkbox"/> MT <input type="checkbox"/> CY <input type="checkbox"/> IS <input type="checkbox"/> HU <input type="checkbox"/>
MOD. m ³ /h	I3+	P mbar	28	37	-	-	CY <input type="checkbox"/>
Predisposto a gas: - Gas preset: - Prevu pour gaz: Eingestellt für Gas: - Preparado para gas: - Geschuckt voor:							
V AC	kW		Hz		MADE IN ITALY		
THE APPLIANCE MUST BE CONNECTED IN COMPLIANCE WITH THE LAWS IN FORCE AND INSTALLED IN A WELL-VENTILATED ROOM. READ THE INSTRUCTION MANUALS BEFORE INSTALLING AND USING THE APPLIANCE. THE APPLIANCE MUST BE INSTALLED BY QUALIFIED PERSONNEL.							

3 - TECHNICAL DATA

Model	Description	Dimensions mm. (LxPxH)
S110E	Electric grill salamander - Mobile head	550 x 370 x 440
S300E	Electric grill salamander - Mobile head	800 x 370 x 440
S600E	Electric grill salamander - Mobile head	600 x 530 x 605

TABLE 1

Model	Power kW	Voltage V	No. of cables per section:
S110E	2.5	230V 50Hz	3 x 1.5
S300E	3.0	230V 50Hz	3 x 1.5
S600E	3.6	230V 50Hz	3 x 1.5



4 - INSTALLATION INSTRUCTIONS

4.1 Safety rules

- All operations covered by this manual must be performed by qualified personnel in compliance with current regulations.
- After removing the appliance from the packaging, install the four feet and level precisely.
- The appliance must be installed in a well-ventilated location. It can also be placed against the wall as long as the walls have a heat resistance of at least 180°C. Otherwise it is necessary to take suitable precautions (for example, by placing insulating material or moving the appliance 10mm away from the wall).

4.2 Electrical connection

The unit is set up for operation on alternating current at the voltage shown on the technical data plate.

The earth wire in the power cord can be identified by its yellow and green colours.

Place a plug on the cord which is suitable for the load indicated on the technical data plate and connect it to an adequate electrical outlet. If you want to connect the appliance directly to the electrical mains, it is necessary to place an omnipolar switch between the mains and the appliance, with a load size which complies with current regulations.

The yellow and green earth wire must not be interrupted. In any case, the power cord must be placed in such a way that at no point does it reach a temperature 50% greater than the ambient temperature.

Before connecting the appliance ensure that:

- 1 the limiting valve and the system can bear the load of the appliance. See the technical data plate.
- 2 the power supply system is equipped with an efficient earthing in accordance with current provisions.
- 3 the outlet or omnipolar switch used for connection are easily accessible once the unit is installed.

Some of the parts are protected by a plastic adhesive film which must be removed before starting the appliance.

Glue residues must be carefully removed (do not use abrasive substances). Before doing any technical work, maintenance or cleaning, disconnect the unit from the electrical power supply.

The thermal insulation and the grease residues from manufacturing may produce fumes and unpleasant odours.

We therefore recommend warming up the appliance for about 15 minutes when it is used for the first time.



WE SHALL NOT BE HELD LIABLE IF ACCIDENT PREVENTION STANDARDS ARE NOT COMPLIED WITH.

5 - SET-UP FOR OPERATION

5.1 Start-up

The user is reminded to check that installation of the appliance has been properly carried out. The manufacturer will not be liable for guarantees and/or damage for poor installation, incorrect maintenance or improper use.

5.1.1 Using the energy regulator

S100E - S300E : 1 heating zone controlled by 1 energy regulator.

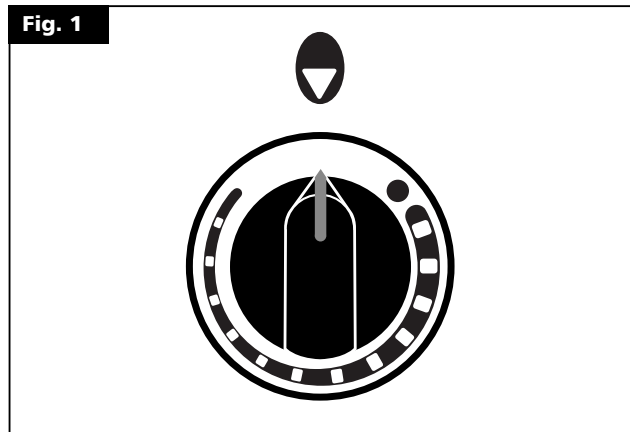
S600E : 2 independent heating zones each controlled by 1 energy regulator.

Rotate the knob of the energy regulator (Fig. 1) clockwise. Keep in mind that the minimum is obtained in the thinnest part of the comet-shaped icon and the maximum in the wide part. An indicator light indicates that the heating element is on.

By turning the knob to the position ● the heating element will always be on.

Do not use the appliance in this position for more than 20/30 minutes continuously.


Fig. 1





5 - SET-UP FOR OPERATION

5.2 Safety, cleaning and repair rules




-  • Before performing any operation, disconnect the appliance from the electrical network. No particular maintenance is required; it is only necessary to check the condition of the conductors, the controls and the electrical heating elements.

IMPORTANT!

- Periodically check the condition of the power cord;
- If any abnormalities are discovered, have it checked by qualified personnel;
- Be sure to disconnect the electrical power supply if the appliance is not going to be used for a long period of time.

5.2.1 Cleaning of stainless steel and painted parts

For long appliance life, it is indispensable to perform thorough cleaning periodically, keeping in mind the following suggestions:

-  The parts in stainless steel must be cleaned with suitable, non-abrasive products readily available on the market.
-  Never use substances that contain chlorine (bleach, etc.). For tough stains, use water and vinegar or suitable non-abrasive detergents. Do not use muriatic acid.
-  The painted parts and the chromed parts must be cleaned with a cloth dampened with soap and water or with water and a non-corrosive liquid detergent. Never use a steel wool pad or detergents that contain abrasive substances.

5.2.2 Replacement parts

S100E - S300E

Heating element: Remove the back by loosening the visible screws. Remove the electrical connections and loosen the two fastening screws of the heating element, then extract it from the chamber for replacement.

To re-install follow the operations in reverse order, taking care to replace the electrical connections perfectly.

Regulator and indicator light: Remove the bottom by loosening the screws, make the replacement and re-install.

S600E

Heating element: Remove the lid of the cabinet top by loosening the 4 visible screws.

Remove the electrical connections on the heating element and loosen the fastening screws, remove the heating element for replacement by unscrewing it from the lower part. To re-install follow the operations in reverse order, taking care to replace the electrical connections perfectly.

Energy regulator and indicator light: Remove the control panel by loosening the 4 visible screws.

6.2 The 2002/96/EC (WEEE) Directive: information to users



This informational note is meant only for owners of equipment marked with the symbol shown in Fig. A on the adhesive label featuring the technical specifications applied on the actual product (the label also giving the serial number).

This symbol indicates that the product is classified, according to the regulations in force, as an item of electrical and electronic equipment and conforms to EU Directive 2002/96/EC (WEEE) meaning that, at the end of its service life, it must be treated separately from domestic waste, i.e. it must be handed in free of charge to a separate waste electrical and electronic equipment collection centre or returned to the reseller when buying a new equivalent item of equipment.

The user is responsible for delivering the unit at the end of its life to the appropriate collection facilities. Failure to do so shall result in the user being subject to the penalties prescribed by the legislation in force on waste. Suitable separated collection so that the unit no longer used can be sent off for environmentally compatible recycling, treatment and disposal helps avoid possible negative effects on the environment and on health and facilitates the recycling of the product's component materials.

For more detailed information on available collection systems, contact the local waste disposal service or the shop you purchased the unit from.

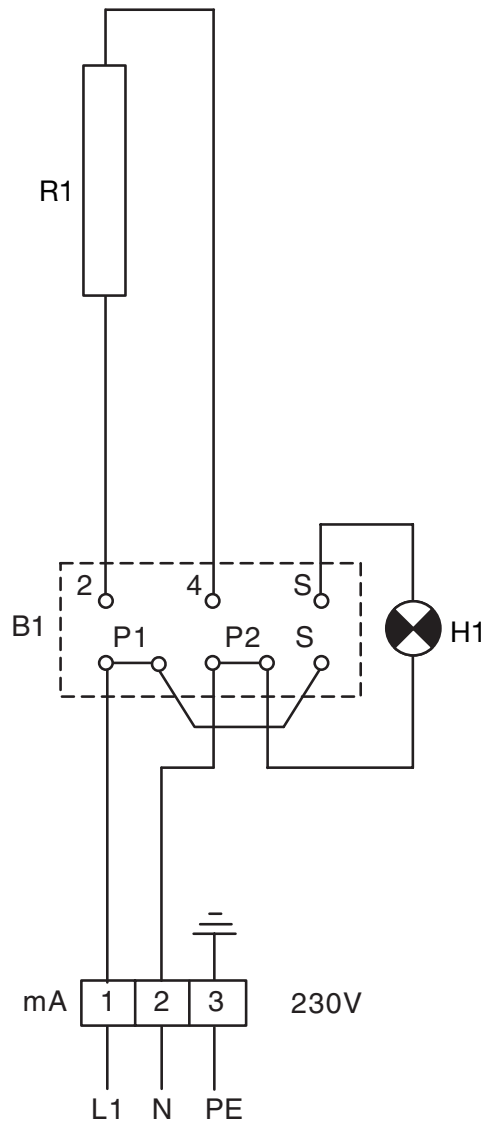
Producers and importers fulfil their responsibility for environmentally compatible recycling, treatment and disposal both directly and by joining a collective scheme.

NOTES



6 - APPENDIX: ELECTRICAL DIAGRAMS

S110E - S300E



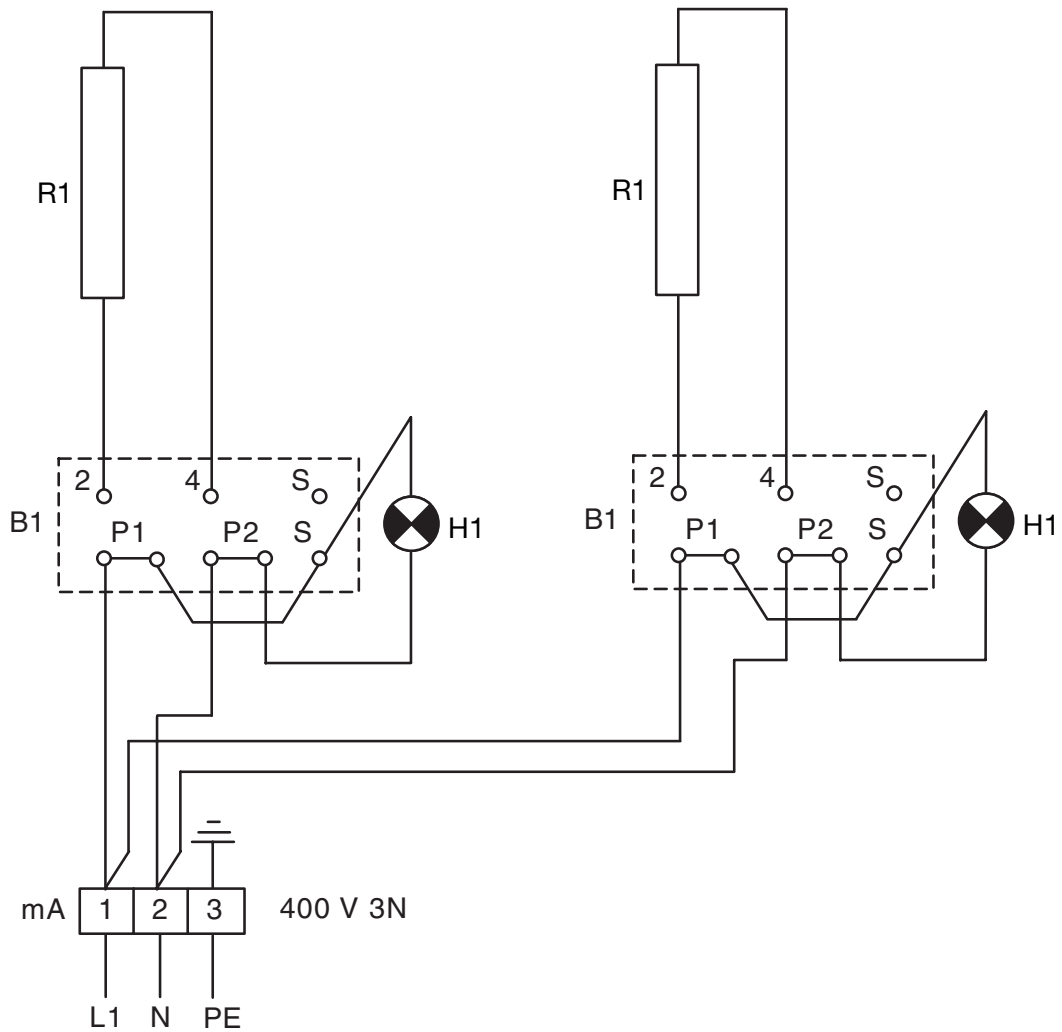
- mA** Line in terminal board
- B1** Energy regulator
- H1** Indicator light
- R1** Heating element 2500 W
- R2** Heating element 3000 W

Power:
2.5 kW 230 V
3.0 kW 230 V



6 - APPENDIX: ELECTRICAL DIAGRAMS

S600E



mA Line in terminal board
B1-B2 Energy regulator
H1-H2 Indicator light
R1-R2 Heating element 1500 W

Power:
3.6 kW 230 V



NOTES



NOTES

WARNING

THE MANUFACTURER CANNOT BE HELD RESPONSIBLE
FOR ANY INACCURACIES IN THIS BOOKLET DUE
TO COPYING OR PRINTING ERRORS.
DUE TO ITS POLICY OF CONTINUAL PRODUCT IMPROVEMENT,
THE MANUFACTURER RESERVES THE RIGHT
TO MAKE ANY CHANGES DEEMED NECESSARY.
**THE MANUFACTURER CANNOT BE HELD RESPONSIBLE
IF THE INSTRUCTIONS CONTAINED IN THIS MANUAL
ARE NOT OBSERVED.**

**THIS DOCUMENTATION IS ONLY INTENDED
FOR QUALIFIED TECHNICIANS WHO ARE AWARE
OF THE RESPECTIVE SAFETY REGULATIONS.**



GIGA GRANDI CUCINE S.r.l. - Via Pisana, 336 - Loc. Olmo - 50018 SCANDICCI (FI) - ITALY -
Tel. +39 055 722 33 (11 linee r.a.) - Fax +39 055 7310 056 - www.gigagrandicucine.it -
info@gigagrandicucine.it